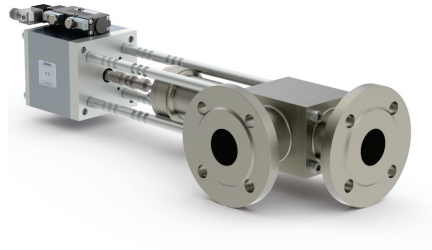


lateral valve

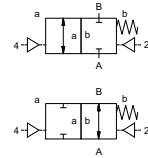
type V2

5-V2

valve type with pilot valve



2/2 way valve externally controlled
pressure range PN 0-64 bar
orifice DN 15 - DN 80
connection flange
function valve normally closed symbol **NC**
 valve normally open symbol **NO**



Above stated body materials refer to the valve port connections that get in contact with the media only!

design pressure balanced, with spring return
body materials ① ② ③ ④ steel, nickel plated ⑤ ⑥ stainless steel
valve seat synthetic resin on metal / metal on metal
seal materials FPM, Graphit

details needed for main valve

- orifice
- port
- function NC/NO
- operating pressure
- flow rate
- media
- media temperature
- ambient temperature
- type of actuation

details needed for pneumatic actuation

- nominal voltage
- type of protection
- actuation pressure range min/max
- low wattage coil, actuation pressure range 4-7 bar
- pilot valve type

The valves' technical design is based on media and application requirements. This can lead to deviations from the general specifications shown on the data sheet with regards to the design, sealing materials and characteristics.

If order or application specifications are incomplete or imprecise there exists a risk of an incorrect technical design of the valve for the required application. As a consequence, the physical and / or chemical properties of the materials or seals used, may not be suitable for the intended application.

■ specifications not highlighted are standard
 specifications highlighted in grey are optional

general specifications

ports	V2	flanges PN 16 / 40 / 64	special flanges
function	NC		NO (to DN 50)
pressure range	bar	0-64 (Δp max. 30 bar)	
Kv value	m ³ /h	DN 15 =7,5 DN 25 =15 DN 40 =36 DN 50 = 46 DN 80 = 200	
vacuum	leak rate		< 10 ⁻⁴ mbar·l/s ¹
pressure-vacuum	P ₁ ↔ P ₂		pressure side max. 40 bar vacuum side leak rate upon request
back pressure	P ₂ > P ₁		upon request
media		gaseous	
abrasive media			version available
damping	opening		
	closing	by throttles on pilot valve	
flow direction	A ↔ B	as marked	
switching cycles	1/min	upon request	
switching time	ms	60 to DN 50 100 DN 65-80	
media temperature	°C	400 DN 15-50	>300 DN 65-80
ambient temperature	°C	direct mounted pilot valve 50	
flush ports			
leak ports			
limit switches			inductive / mechanical
manual override		via pilot valve	
approvals			LR/GL/WAZ
mounting			
weight	kg	23,0 to DN 50 130,5 DN 65-80	
additional equipment			upon request

electrical specifications

nominal voltage	U _n	DC 24 V	special voltage upon request
	U _n	AC 230 V 50 Hz	special voltage upon request
power consumption	DC	4,8 W	2,5 W
	AC	pick up 11,0 VA holding 8,5 VA	
protection	IP65 (P54)	acc. DIN 40050	
energized duty rating	ED	100%	
connection		plug acc. DIN EN 175301-803 form B, 4 positions x90° / wire diameter 6-8 mm	
optional	M12x1	connector acc. DESINA	connector acc. VDMA
additional equipment		illuminated plug with varistor	
max. temperature	media	60°C	
	ambient	50°C	
explosion proof	E Ex e II T5	nominal voltage U _n	DC 24 V 3,25 W
		power consumption	AC 230 V 50 Hz 2,90 W

pneumatic specifications

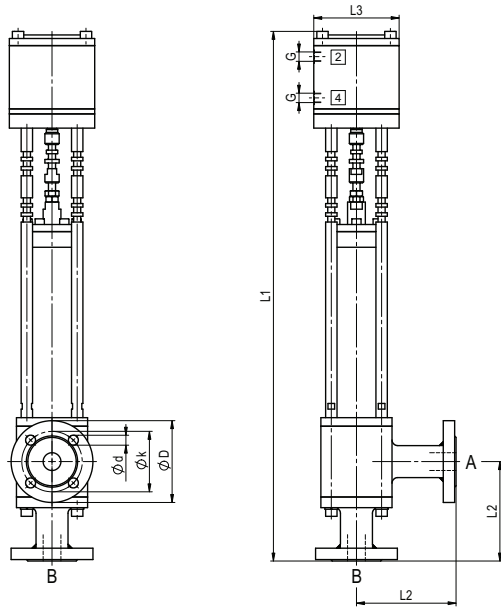
actuation pressure range	bar	6-10	
air consumption	cm ³ /stroke	50	
cycle speed		main valve speed variable by throttleson pilot valve	
control		preferably 5/2 way pilot valve	
pilot valve interface			
actuator ports	2/4	G 1/4 DN 15-50 G 1/2 DN 65-80	

hydraulic specifications

actuation pressure range			
control			
actuator ports			
by media			

type V2

function: **NC**
closed when not energized



constructive length	L1	L2	L3	G
DN 15 - 50	750	140	□120	1/4
DN 65 - 80	1036	200	Ø270	1/2

flanges PN	DN	DIN	ØD	Øk	Ød
16 / 40	15	EN 1092-1	95	65	14
16 / 40	25	EN 1092-1	115	85	14
16 / 40	40	EN 1092-1	150	110	18
16 / 40	50	EN 1092-1	165	125	18
16 / 40	65	EN 1092-1	185	145	18
16 / 40	80	EN 1092-1	200	160	18
64	15	EN 1092-1	105	75	14
64	25	EN 1092-1	140	100	18
64	40	EN 1092-1	170	125	22
64	50	EN 1092-1	195	145	26
64	65	EN 1092-1	220	170	26
64	80	EN 1092-1	230	180	26

type V2

function: **NO**
open when not energized

