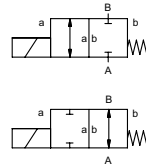


# module

## type MK 10 - MK 15



**2/2 way valve** **direct acting**  
**pressure range** PN 0-100 bar  
**orifice** DN 10-15 mm  
**connection** thread  
**function** valve normally closed symbol **NC**  
 valve normally open symbol **NO**



**⚠** Above stated body materials refer to the valve port connections that get in contact with the media only!

- details needed**
- orifice
  - port
  - function NC/NO
  - operating pressure
  - flow rate
  - media
  - media temperature

**general specifications**

	type	MK 10	MK 15
<b>port thread valve</b>	G	1/4 - 3/4	3/8 - 3/4
<b>port thread module</b>	G	1	1
<b>function</b>		NC / NO	NC / NO
<b>pressure range</b>	bar	0-16 / 40 / 64 / 100	0-16 / 40 / 64 / 100
<b>orifice</b>	DN	10	15
<b>media</b>		gaseous - liquid - contaminated	
<b>media temperature</b>	°C	-20 bis +120	-20 bis +160
<b>switching time</b>	ms	opening 60 closing 35	opening 80 closing 80
<b>body materials valve</b>	①	brass	brass
	②	aluminium	aluminium
	③	brass, nickel plated	steel, galvanized nickel plated
	④		steel, nickel plated
<b>body materials module</b>	⑤		
	⑥	stainless steel	stainless steel
	⑦	aluminium	aluminium
	⑧	stainless steel	stainless steel
<b>seal materials</b>		NBR, PTFE, FPM, CR, EPDM	
<b>valve seat</b>		synthetic resin on metal	
<b>design</b>		pressure balanced with spring return	

**⚠** The valves' technical design is based on media and application requirements. This can lead to deviations from the general specifications shown on the data sheet with regards to the design, sealing materials and characteristics.

**⚠** If order or application specifications are incomplete or imprecise there exists a risk of an incorrect technical design of the valve for the required application. As a consequence, the physical and / or chemical properties of the materials or seals used, may not be suitable for the intended application.

- specifications not highlighted are standard
- specifications highlighted in grey are optional

# type module MK 10 - MK 15

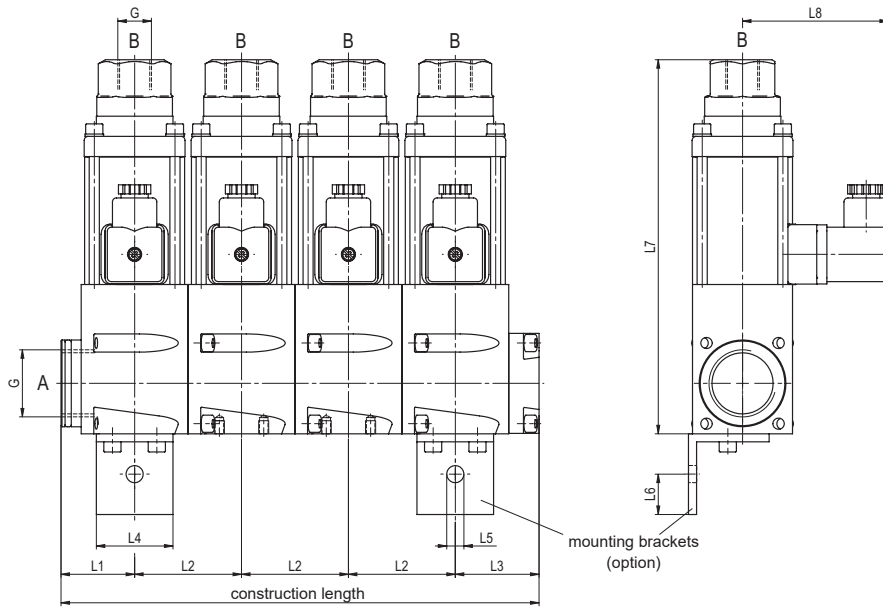
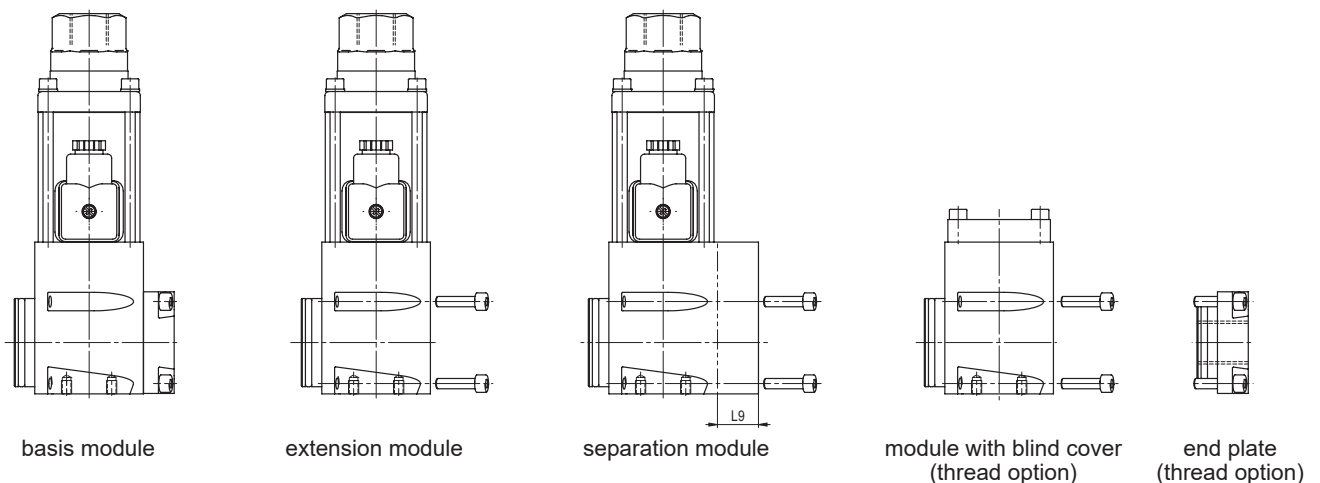


chart with dimensions

type	L1	L2	L3	L4	L5	L6	L7	L8	L9
MK 10	36,5	53	38,5	38	∅8,5	20	186	72	20
MK 15	46	72	64	52	∅9	30	247	81	20

chart with overall length

type	1-station	2-station	3-station	4-station	5-station	6-station	7-station	8-station
MK 10	75	128	181	234	287	340	393	446
MK 15	110	182	254	326	398	470	542	614



The application-specific layout relating to temperature, pressure conditions, switching behavior, media and its consistency may restrict the range of use or necessitate relevant modifications to materials used and seal arrangements.

Rights reserved to make technical alterations • Not responsible for printing errors • Detailed drawings can be obtained upon request