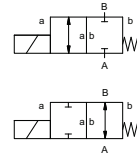


coaxial valve

type MK 15 TÜV HT FK 15 TÜV HT



2/2 way valve direct acting
pressure range PN 0-40 bar
orifice DN 15 mm
connection thread/flange
function valve normally closed symbol **NC**
 valve normally open symbol **NO**



▲ Above stated body materials refer to the valve port connections that get in contact with the media only!

design pressure balanced, with spring return
body materials ① TÜV/stainless steel

valve seat synthetic resin on metal
seal materials FPM, PTFE

details needed

- orifice
- port
- function NC/NO
- operating pressure
- flow rate
- media
- media temperature
- ambient temperature
- nominal voltage

general specifications

options

ports	MK	threads G 3/8 - G 3/4	
	FK	flanges PN 40	
function		NC	NO
pressure range	bar	0-40	
Kv value	m³/h	4,8	
vacuum			
pressure-vacuum	P1 ↔ P2		
back pressure	P2 > P1		available (max. 16 bar)
media		liquid fuels - fuel oil EL, M, S and oils not acc. to DIN 51603, e.g. animal fat	
abrasive media			
damping	opening		
	closing		
flow direction	A ↔ B	as marked	
switching cycles	1/min	200	
switching time	ms	opening 80 closing 80	
media temperature	°C	DC: -10 to +160	
		AC: -10 to +160	
ambient temperature	°C	DC: -10 to +60	
		AC: -10 to +60	
limit switches			mechanical
manual override			
approvals	TÜV	DIN EN ISO 23553-1	
mounting			mounting brackets
weight	kg	MK 3,8 FK 5,0	
additional equipment			

electrical specifications

options

nominal voltage	U _n	DC 24 V	
	U _n	AC 230 V 40-60 Hz	
actuation	DC	direct-current magnet	
	AC	direct-current magnet with separate rectifier	
insulating rating	H	180°C	
protection	IP65		
energized duty rating	ED	100%	
connection	M16x1,5	terminal box	
optional additional equipment			
current consumption	N-coil		
	H-coil	DC 24 V 2,30 A	
		AC 230 V 40-60 Hz 0,24 A	
explosion proof			
limit switches		mechanical	single pole double throw-SPDT

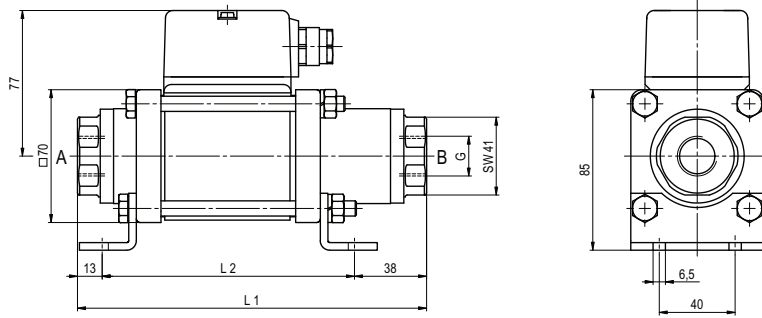
⚠ The valves' technical design is based on media and application requirements. This can lead to deviations from the general specifications shown on the data sheet with regards to the design, sealing materials and characteristics.

⚠ If order or application specifications are incomplete or imprecise there exists a risk of an incorrect technical design of the valve for the required application. As a consequence, the physical and / or chemical properties of the materials or seals used, may not be suitable for the intended application.

■ specifications not highlighted are standard
 ■ specifications highlighted in grey are optional

type MK 15 TÜV HT

function: **NC**
closed when not energized



constructive length	L1	L2	L3
standard	184	133	241
with mechanical limit switches	204	153	261

type FK 15 TÜV HT

function: **NO**
open when not energized

