

**5-VSV-M 40 DR**

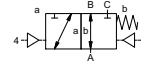
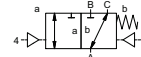
**5-VSV-F 40 DR**

valve type with pilot valve

coaxial valve  
type **VSV-M 40 DR**  
**VSV-F 40 DR**



**3/2 way valve** externally controlled  
**pressure range** PN 0-40 bar  
**orifice** DN 40 mm  
**connection** thread/flange  
**function** valve normally closed (A ► B)  
symbol **NC**  
valve normally open (A ► B)  
symbol **NO**



Above stated body materials refer to the valve port connections that get in contact with the media only!

**design** pressure balanced, with spring return, switching overlap  
**body materials** ① ② steel, galvanized  
③ ⑤ without non-ferr. metals  
④ steel, nickel plated ⑥ stainless steel  
**valve seat** synthetic resin on metal  
**seal materials** NBR PTFE, FPM, CR, EPDM

**details needed for main valve**

- orifice
- port
- function NC/NO
- operating pressure
- inlet pressure at A, B or C
- flow rate
- media
- media temperature
- ambient temperature
- type of actuation

**details needed for pneumatic actuation**

- nominal voltage
- type of protection
- actuation pressure range min/max
- low wattage coil, actuation pressure range 4-7 bar
- pilot valve type

**details needed for hydraulic actuation**

- actuation pressure range min/max
- hydraulic control valve function

The valves' technical design is based on media and application requirements. This can lead to deviations from the general specifications shown on the data sheet with regards to the design, sealing materials and characteristics.

If order or application specifications are incomplete or imprecise there exists a risk of an incorrect technical design of the valve for the required application. As a consequence, the physical and / or chemical properties of the materials or seals used, may not be suitable for the intended application.

general specifications		options
<b>ports</b>	VSV-M threads G 1 1/2 - G 2 VSV-F flanges PN 16 / 40	special threads special flanges
<b>function</b>	NC	NO
<b>pressure range</b>	bar 0-16 / 0-40 A ⇒ B max. 40 / B ⇒ A max. 16 / A ⇒ C max. 40 / C ⇒ A max. 40	
<b>Kv value</b>	m <sup>3</sup> /h 29,1	
<b>vacuum</b>	leak rate < 10 <sup>-6</sup> mbar·l·s <sup>-1</sup>	
<b>pressure-vacuum</b>	P <sub>1</sub> ⇔ P <sub>2</sub>	pressure side max. 40 bar vacuum side leak rate upon request
<b>back pressure</b>	P <sub>2</sub> > P <sub>1</sub> see pressure range	
<b>media</b>	gaseous - liquid - highly viscous - gelatinous - pasty - contaminated	
<b>abrasive media</b>		version available
<b>damping</b>	opening by throttles on pilot valve closing see pressure range	
<b>flow direction</b>	see pressure range	
<b>switching cycles</b>	1/min 150	
<b>switching time</b>	ms opening 100-3000 closing 100-3000	
<b>media temperature</b>	°C direct mounted pilot valve 60	remote mounted pilot valve outside temper.
<b>ambient temperature</b>	°C direct mounted pilot valve 50	atur range of media max. 160 °C
<b>flush ports</b>		available
<b>leak ports</b>		available
<b>limit switches</b>		inductive / mechanical upon request
<b>manual override</b>	via pilot valve	
<b>approvals</b>		LR/GL/WAZ
<b>mounting</b>		mounting brackets
<b>weight</b>	kg VSV-M 8,9 VSV-F 11,6	
<b>additional equipment</b>		upon request

electrical specifications		options
<b>nominal voltage</b>	U <sub>n</sub> DC 24 V U <sub>n</sub> AC 230 V 50 Hz	special voltage upon request special voltage upon request
<b>power consumption</b>	DC 4,8 W AC pick up 11,0 VA holding 8,5 VA	2,5 W
<b>protection</b>	IP65 (P54) acc. DIN 40050	
<b>energized duty rating</b>	ED 100%	
<b>connection</b>	plug acc. DIN EN 175301-803 form B, 4 positions x90° / wire diameter 6-8 mm	
<b>optional</b>	M12x1 connector acc. DESINA	connector acc. VDMA
<b>additional equipment</b>	illuminated plug with varistor	
<b>max. temperature</b>	media 60°C ambient 50°C	
<b>explosion proof</b>	E Ex e II T5 nominal voltage U <sub>n</sub> power consumption	DC 24 V 3,25 W AC 230 V 50 Hz 2,90 W

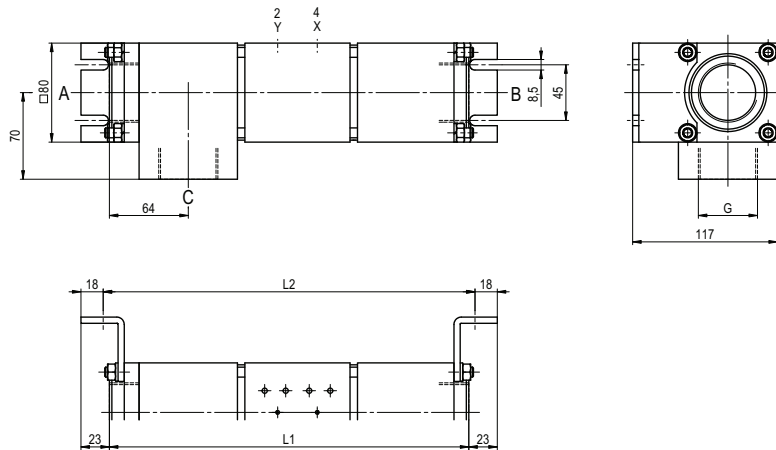
pneumatic specifications		options
<b>actuation pressure range</b>	bar 4-10	
<b>air consumption</b>	cm <sup>3</sup> /stroke 34	
<b>cycle speed</b>	main valve speed variable by throttleson pilot valve	
<b>control</b>	preferably 5/2 way pilot valve	
<b>pilot valve interface</b>	co-ax / NAMUR	ISO 1
<b>actuator ports</b>	2/4 G 1/8	G 1/4

hydraulic specifications		options
<b>actuation pressure range</b>	bar 10-30 / 30-60	
<b>control</b>	preferably 4/2 way control valve	
<b>actuator ports</b>	X/Y G 1/4	NPT 1/4
<b>by media</b>		

■ specifications not highlighted are standard  
■ specifications highlighted in grey are optional

# type VSV-M 40 DR

function: **NC**  
closed when not energized (A ► B)

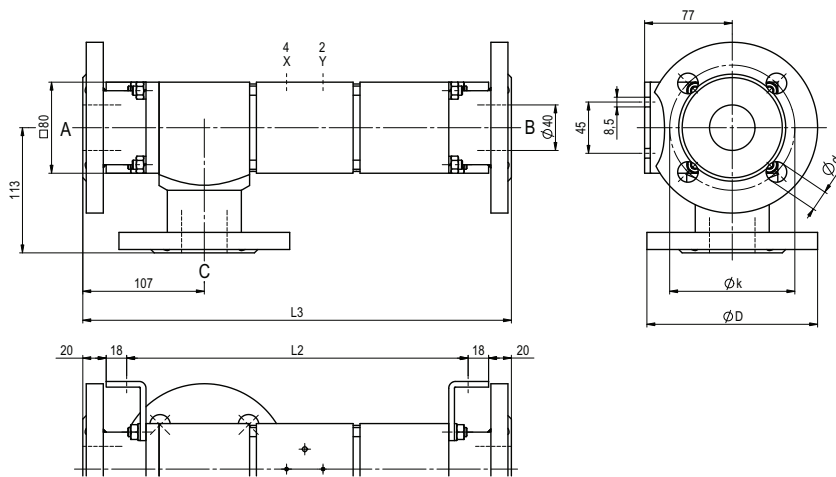


constructive length	L1	L2	L3
standard	291	301	377
with 1/2 inductive limit switches	338	348	424
with force-feed lubrication nipple	-	-	-
with mechanical limit switches	-	-	-

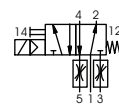
flanges PN	DIN	ØD	Øk	Ød
16	EN 1092-1	150	110	18
40	EN 1092-1	150	110	18

# type VSV-F 40 DR

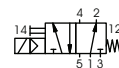
function: **NO**  
open when not energized (A ► B)



### pneumatic actuation



5/2 way pilot valve  
flow rate 700 l/min  
pressure range 3-10 bar G 1/8



5/2 way pilot valve ISO 1  
flow rate 700 l/min  
pressure range 3-10 bar G 1/4