

# coaxial valve

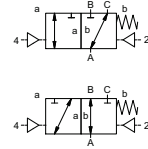
## type VSV-F 150 DR

### 5-VSV-F 150 DR

valve type with pilot valve



**3/2 way valve** externally controlled  
**pressure range** PN 0-16 bar  
**orifice** DN 150 mm  
**connection** flange  
**function** valve normally closed (A ► B)  
 symbol **NC**  
 valve normally open (A ► B)  
 symbol **NO**



Above stated body materials refer to the valve port connections that get in contact with the media only!

**design** pressure balanced, with spring return, switching overlap  
**body materials** ① ② steel, galvanized  
 ③ ⑤ without non-ferr. metals  
 ④ steel, nickel plated ⑥ stainless steel  
**valve seat** synthetic resin on metal  
**seal materials** NBR PTFE, FPM, CR, EPDM

**details needed for main valve**

- orifice
- port
- function NC/NO
- operating pressure
- inlet pressure at A, B or C
- flow rate
- media
- media temperature
- ambient temperature
- type of actuation

**details needed for pneumatic actuation**

- nominal voltage
- type of protection
- actuation pressure range min/max
- low wattage coil, actuation pressure range 4-7 bar
- pilot valve type

**details needed for hydraulic actuation**

- actuation pressure range min/max
- hydraulic control valve function

The valves' technical design is based on media and application requirements. This can lead to deviations from the general specifications shown on the data sheet with regards to the design, sealing materials and characteristics.

If order or application specifications are incomplete or imprecise there exists a risk of an incorrect technical design of the valve for the required application. As a consequence, the physical and / or chemical properties of the materials or seals used, may not be suitable for the intended application.

general specifications		options
ports	VSV-F flanges PN 16	special flanges
function	NC	NO
pressure range	bar 0-16 A ⇒ B max. 16 / B ⇒ A max. 16 / A ⇒ C max. 16 / C ⇒ A max. 16	
Kv value	m <sup>3</sup> /h 274,0	
vacuum	leak rate	< 10 <sup>-6</sup> mbar·l·s <sup>-1</sup>
pressure-vacuum	P <sub>1</sub> ⇔ P <sub>2</sub>	pressure side max. 16 bar vacuum side leak rate upon request
back pressure	P <sub>2</sub> > P <sub>1</sub> see pressure range	
media	gaseous - liquid - highly viscous - gelatinous - pasty - contaminated	
abrasive media	damping	version available
opening	closing by throttles on pilot valve	
flow direction	see pressure range	
switching cycles	1/min 20	
switching time	ms opening 600-3000 closing 600-3000	
media temperature	°C direct mounted pilot valve 60	remote mounted pilot valve outside temper-
ambient temperature	°C direct mounted pilot valve 50	ature range of media max. 160 °C
flush ports		available
leak ports		available
limit switches		inductive / mechanical upon request
manual override	via pilot valve	
approvals		LR/GL/WAZ
mounting		
weight	kg VSV-F 97,0	
additional equipment		upon request

electrical specifications		options
nominal voltage	U <sub>n</sub> DC 24 V	special voltage upon request
	U <sub>n</sub> AC 230 V 50 Hz	special voltage upon request
power consumption	DC 4,8 W	2,5 W
	AC pick up 11,0 VA holding 8,5 VA	
protection	IP65 (P54) acc. DIN 40050	
energized duty rating	ED 100%	
connection	plug acc. DIN EN 175301-803 form B, 4 positions x90° / wire diameter 6-8 mm	
optional	M12x1 connector acc. DESINA	connector acc. VDMA
additional equipment	illuminated plug with varistor	
max. temperature	media 60°C ambient 50°C	
explosion proof	E Ex e II T5 nominal voltage U <sub>n</sub>	DC 24 V 3,25 W
	power consumption	AC 230 V 50 Hz 2,90 W

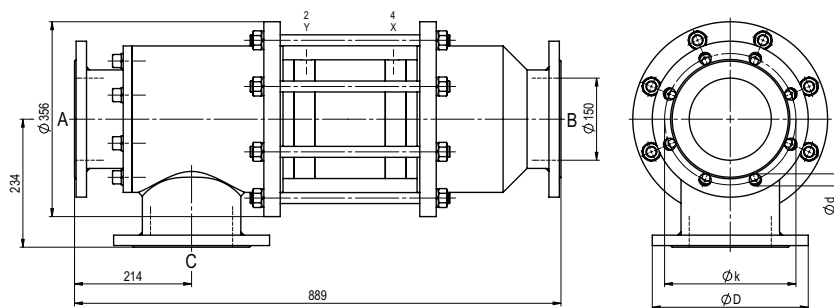
pneumatic specifications		options
actuation pressure range	bar 4-10	
air consumption	cm <sup>3</sup> /stroke 550	
cycle speed	main valve speed variable by throttleson pilot valve	
control	preferably 5/2 way pilot valve	
pilot valve interface		
actuator ports	2/4 G 1/4	G 3/8

hydraulic specifications		options
actuation pressure range	bar 10-30 / 30-60	
control	preferably 4/2 way control valve	
actuator ports	X/Y G 1/4	NPT 1/4
by media		upon request

■ specifications not highlighted are standard  
 specifications highlighted in grey are optional

# type VSV-F 150 DR

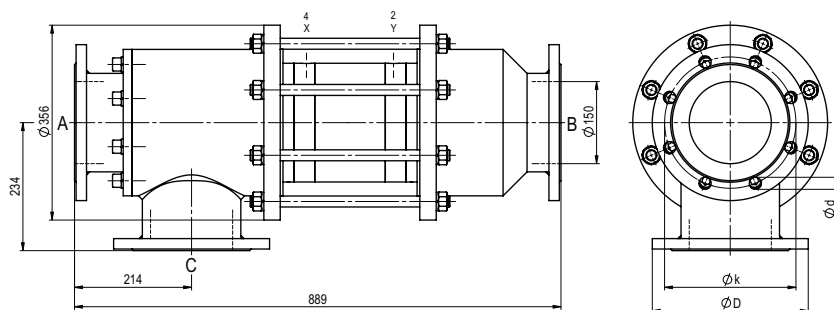
function: **NC**  
closed when not energized (A ► B)



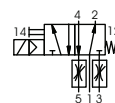
flanges PN	DIN	$\varnothing D$	$\varnothing k$	$\varnothing d$
16	EN 1092-1	285	240	22

# type VSV-F 150 DR

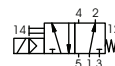
function: **NO**  
open when not energized (A ► B)



### pneumatic actuation



5/2 way pilot valve  
flow rate 700 l/min  
pressure range 3-10 bar G 1/8



5/2 way pilot valve ISO 1  
flow rate 700 l/min  
pressure range 3-10 bar G 1/4