

5-VMK 25 DR

5-VFK 25 DR

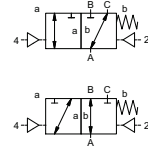
valve type with pilot valve

coaxial valve

type VMK 25 DR VFK 25 DR



3/2 way valve externally controlled
pressure range PN 0-100 bar
orifice DN 25 mm
connection thread/flange
function valve normally closed (A ► B)
 symbol **NC**
 valve normally open (A ► B)
 symbol **NO**



Above stated body materials refer to the valve port connections that get in contact with the media only!

design pressure balanced, with spring return, switching overlap
body materials ① brass ② steel, galvanized
 ③ brass, nickel plated ⑤ without non-ferr. metals
 ④ steel, nickel plated ⑥ stainless steel
valve seat synthetic resin on metal
seal materials NBR PTFE, FPM, CR, EPDM

details needed for main valve

- orifice
- port
- function NC/NO
- operating pressure
- inlet pressure at A, B or C
- flow rate
- media
- media temperature
- ambient temperature
- type of actuation

details needed for pneumatic actuation

- nominal voltage
- type of protection
- actuation pressure range min/max
- low wattage coil, actuation pressure range 4-7 bar
- pilot valve type

details needed for hydraulic actuation

- actuation pressure range min/max
- hydraulic control valve function

The valves' technical design is based on media and application requirements. This can lead to deviations from the general specifications shown on the data sheet with regards to the design, sealing materials and characteristics.

If order or application specifications are incomplete or imprecise there exists a risk of an incorrect technical design of the valve for the required application. As a consequence, the physical and / or chemical properties of the materials or seals used, may not be suitable for the intended application.

ports		general specifications		options	
VMK	threads G 1 - G 1 1/2	special threads			
VFK	flanges PN 16 / 40 / 100	special flanges			
function	NC	NO			
pressure range	bar 0-16 / 0-40 / 0-64 / 0-100	A ⇒ B max. 100 / B ⇒ A max. 16 / A ⇒ C max. 100 / C ⇒ A max. 100			
Kv value	m ³ /h 13,3				
vacuum	leak rate < 10 ⁻⁶ mbar·l/s ⁻¹				
pressure-vacuum	P ₁ ⇔ P ₂	pressure side max. 100 bar			
		vacuum side leak rate upon request			
back pressure	P ₂ > P ₁ see pressure range				
media	gaseous - liquid - highly viscous - gelatinous - pasty - contaminated				
abrasive media		version available			
damping	opening by throttles on pilot valve				
	closing see pressure range				
flow direction	1/min 200				
switching cycles	ms opening 50-3000 closing 50-3000				
switching time	°C direct mounted pilot valve 60	remote mounted pilot valve outside temperature range of media max. 160 °C			
media temperature	°C direct mounted pilot valve 50	available			
ambient temperature	flush ports available				
flush ports	leak ports inductive / mechanical upon request				
leak ports	limit switches via pilot valve				
limit switches	manual override LR/GL/WAZ				
manual override	approvals mounting brackets				
approvals	weight kg VMK 8,0 VFK 9,6				
mounting	additional equipment upon request				
weight					

nominal voltage		electrical specifications		options	
U _n	DC 24 V	special voltage upon request			
U _n	AC 230 V 50 Hz	special voltage upon request			
power consumption	DC 4,8 W	2,5 W			
	AC pick up 11,0 VA holding 8,5 VA				
protection	IP65 (P54) acc. DIN 40050				
energized duty rating	ED 100%				
connection	plug acc. DIN EN 175301-803 form B, 4 positions x90° / wire diameter 6-8 mm	connector acc. VDMA			
optional	M12x1 connector acc. DESINA				
additional equipment	illuminated plug with varistor				
max. temperature	media 60°C				
	ambient 50°C				
explosion proof	E Ex e II T5 nominal voltage U _n	DC 24 V 3,25 W			
	power consumption	AC 230 V 50 Hz 2,90 W			

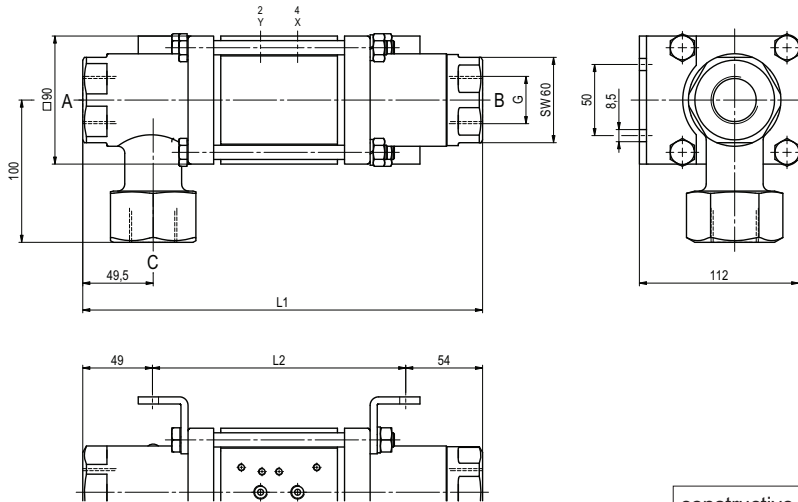
actuation pressure range		pneumatic specifications		options	
bar	4-10				
air consumption	cm ³ /stroke 18				
cycle speed	main valve speed variable by throttleson pilot valve				
control	preferably 5/2 way pilot valve				
pilot valve interface	co-ax / NAMUR	ISO 1			
actuator ports	2/4 G 1/8	G 1/4			

actuation pressure range		hydraulic specifications		options	
bar	10-30 / 30-60				
control	preferably 4/2 way control valve				
actuator ports	X/Y G 1/4	NPT 1/4			
by media					

■ specifications not highlighted are standard
 ■ specifications highlighted in grey are optional

type VMK 25 DR

function: **NC**
closed when not energized (A ► B)

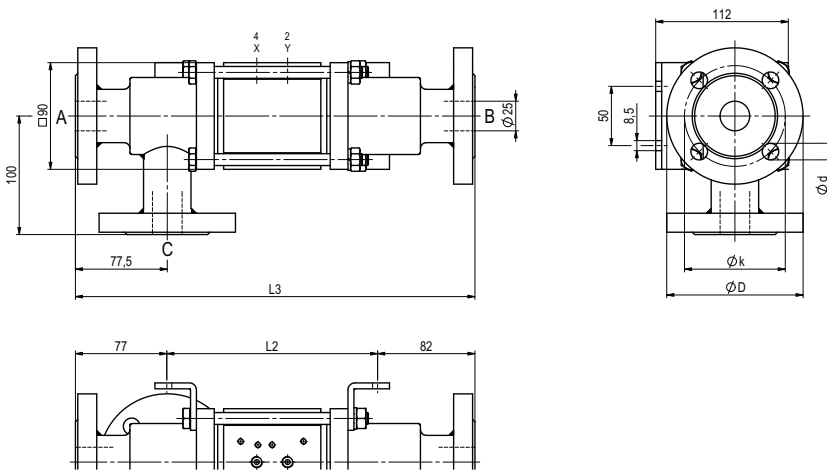


constructive length	L1	L2	L3
standard	281	178	337
with 1/2 inductive limit switches	295	192	351
with force-feed lubrication nipple	311	208	367
with mechanical limit switches	305	202	361

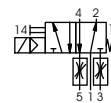
flanges PN	DIN	ØD	Øk	Ød
16	EN 1092-1	115	85	14
40	EN 1092-1	115	85	14
100	EN 1092-1	140	100	18

type VFK 25 DR

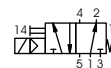
function: **NO**
open when not energized (A ► B)



pneumatic actuation



5/2 way pilot valve
flow rate 700 l/min
pressure range 3-10 bar G 1/8



5/2 way pilot valve ISO 1
flow rate 700 l/min
pressure range 3-10 bar G 1/4