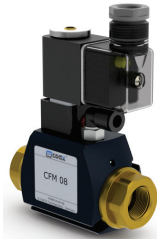


coaxial valve

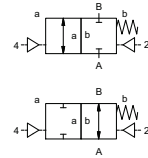
type CFM 08

3-CFM 08

valve type with pilot valve



2/2 way valve externally controlled
pressure range PN 0-40 bar
orifice DN 8 mm
connection thread
function valve normally closed symbol **NC**
 valve normally open symbol **NO**



⚠ Above stated body materials refer to the valve port connections that get in contact with the media only!

design pressure balanced, with spring return

body materials ① brass ②
 ③ ⑤
 ④ ⑥

valve seat synthetic resin on metal
seal materials NBR, FPM, PE **PU, PTFE**

details needed for main valve

- orifice
- port
- function NC/NO
- operating pressure
- flow rate
- media
- media temperature
- ambient temperature
- type of actuation

details needed for pneumatic actuation

- nominal voltage
- type of protection
- actuation pressure range min/max
- low wattage coil, actuation pressure range 4-7 bar
- pilot valve type

⚠ The valves' technical design is based on media and application requirements. This can lead to deviations from the general specifications shown on the data sheet with regards to the design, sealing materials and characteristics.

⚠ If order or application specifications are incomplete or imprecise there exists a risk of an incorrect technical design of the valve for the required application. As a consequence, the physical and / or chemical properties of the materials or seals used, may not be suitable for the intended application.

■ specifications not highlighted are standard
 ■ specifications highlighted in grey are optional

general specifications

ports	CFM	threads G 3/8
function	NC	NO
pressure range	bar	0-40
Kv value	m ³ /h	1,6
vacuum	leak rate	< 10 ⁻⁶ mbar·l·s ⁻¹
pressure-vacuum	P ₁ ↔ P ₂	
back pressure	P ₂ > P ₁	available (max. 16 bar)
media	emulsions - oils - neutral gases	other medias upon request
abrasive media		
damping	opening	
	closing	
flow direction	A ↔ B	as marked
switching cycles	1/min	400
switching time	ms	opening 70 closing 80
media temperature	°C	direct mounted pilot valve 60 > 60 °C upon request
ambient temperature	°C	direct mounted pilot valve 50 > 50 °C upon request
flush ports		
leak ports		
limit switches		temperature range max 70 °C
manual override	via pilot valve	
approvals		
mounting		mounting brackets
weight	kg	0,3
additional equipment		

options

electrical specifications

nominal voltage	U _n	DC 24 V	special voltage upon request
	U _n	AC 230 V 50 Hz	special voltage upon request
power consumption	DC	4,8 W	2,5 W
	AC	pick up 11,0 VA holding 8,5 VA	
protection	IP65 (P54)	acc. DIN 40050	
energized duty rating	ED	100%	
connection	optional	plug acc. DIN EN 175301-803 form B, 4 positions x90° / wire diameter 6-8 mm	connector acc. VDMA
additional equipment	M12x1	connector acc. DESINA	connector acc. VDMA
max. temperature	media	60°C	
	ambient	50°C	
explosion proof	E Ex e II T5	nominal voltage U _n	DC 24 V 3,25 W
		power consumption	AC 230 V 50 Hz 2,90 W

options

pneumatic specifications

actuation pressure range	bar	4-10
air consumption	cm ³ /stroke	1,2
cycle speed		
control		via 3/2 way pilot valve
pilot valve interface		co-ax
actuator ports	2/4	G 1/8

options

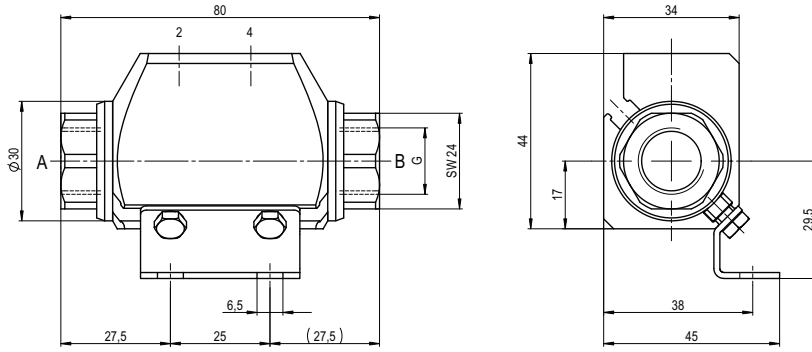
hydraulic specifications

actuation pressure range		
control		
actuator ports		
by media		

options

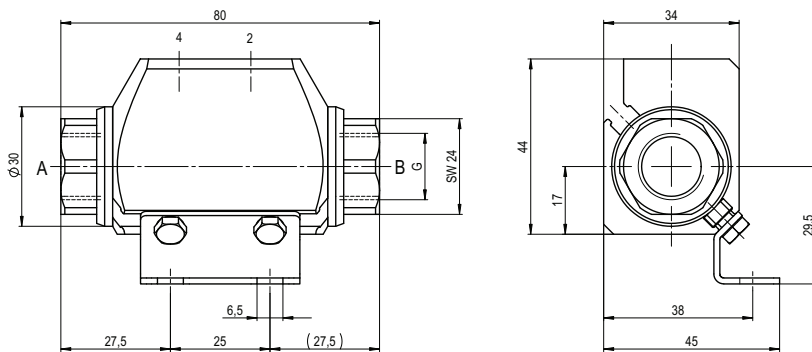
type CFM 08

function: **NC**
closed when not energized

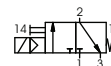


type CFM 08

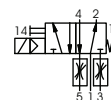
function: **NO**
open when not energized



pneumatic actuation (5/2 separately)



3/2-way-pilot valve
flow rate 60 l/min
pressure range 3-10 bar



5/2 way pilot valve
flow rate 700 l/min
pressure range 3-10 bar G 1/8