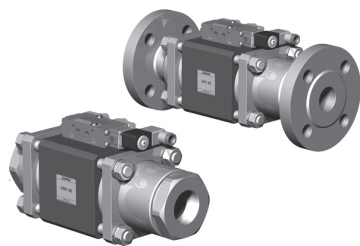


5-VMK 40  
5-VFK 40

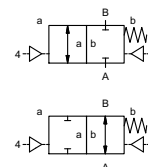
valve type with pilot valve

# coaxial valve

## type VMK 40 VFK 40



**2/2 way valve** externally controlled  
**pressure range** PN 0-100 bar  
**orifice** DN 40 mm  
**connection** thread/flange  
**function** valve normally closed symbol **NC**  
 valve normally open symbol **NO**



**⚠** Above stated body materials refer to the valve port connections that get in contact with the media only!

**design** pressure balanced, with spring return  
**body materials** ① ② steel, galvanized  
 ③ ⑤ without non-ferr. metals  
 ④ steel, nickel plated ⑥ stainless steel  
**valve seat** synthetic resin on metal  
**seal materials** NBR PTFE, FPM, CR, EPDM

**details needed for main valve**

- orifice
- port
- function NC/NO
- operating pressure
- flow rate
- media
- media temperature
- ambient temperature
- type of actuation

**details needed for pneumatic actuation**

- nominal voltage
- type of protection
- actuation pressure range min/max
- low wattage coil, actuation pressure range 4-7 bar
- pilot valve type

**details needed for hydraulic actuation**

- actuation pressure range min/max
- hydraulic control valve function

**⚠** The valves' technical design is based on media and application requirements. This can lead to deviations from the general specifications shown on the data sheet with regards to the design, sealing materials and characteristics.

**⚠** If order or application specifications are incomplete or imprecise there exists a risk of an incorrect technical design of the valve for the required application. As a consequence, the physical and / or chemical properties of the materials or seals used, may not be suitable for the intended application.

■ specifications not highlighted are standard  
 ■ specifications highlighted in grey are optional

general specifications		options
<b>ports</b>	VMK threads G 1 1/2 - G 2 VFK flanges PN 100	special threads special flanges
<b>function</b>	NC	NO
<b>pressure range</b>	bar 0-64/0-100	> 100 bar
<b>Kv value</b>	m <sup>3</sup> /h 31,0	
<b>vacuum</b>	leak rate	< 10 <sup>-6</sup> mbar•l•s <sup>-1</sup>
<b>pressure-vacuum</b>	P <sub>1</sub> ⇄ P <sub>2</sub>	pressure side max. 100 bar vacuum side leak rate upon request available (max. 16 bar)
<b>back pressure</b>	P <sub>2</sub> > P <sub>1</sub>	
<b>media</b>	gaseous - liquid - highly viscous - gelatinous - pasty - contaminated	version available
<b>abrasive media</b>		
<b>damping</b>	opening closing by throttles on pilot valve	
<b>flow direction</b>	A ⇄ B as marked	bi-directional upon request
<b>switching cycles</b>	1/min 150	
<b>switching time</b>	ms opening 100-3000 closing 100-3000	
<b>media temperature</b>	°C direct mounted pilot valve 60	remote mounted pilot valve outside temperature range of media max. 160°C
<b>ambient temperature</b>	°C direct mounted pilot valve 50	
<b>flush ports</b>		available
<b>leak ports</b>		available
<b>limit switches</b>		inductive/mechanical upon request
<b>manual override</b>	via pilot valve	
<b>approvals</b>		LR/GL/WAZ
<b>mounting</b>		mounting brackets
<b>weight</b>	kg VMK 11,3 VFK 13,6	
<b>additional equipment</b>		upon request

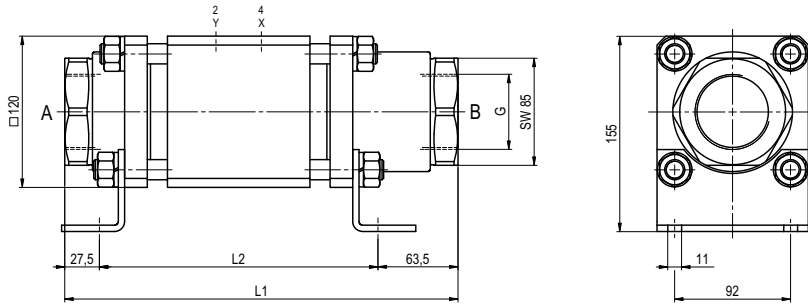
electrical specifications		options
<b>nominal voltage</b>	U <sub>n</sub> DC 24V U <sub>n</sub> AC 230V 50 Hz	special voltage upon request special voltage upon request
<b>power consumption</b>	DC 4,8 W AC pick up 11,0 VA holding 8,5 VA	2,5 W
<b>protection</b>	IP 65 (P54) acc. DIN 40 050	
<b>energized duty rating</b>	ED 100%	
<b>connection</b>	plug acc. DIN EN 175301-803 form B, 4 positions x 90° / wire diameter 6-8 mm	
<b>additional equipment</b>	illuminated plug with varistor	
<b>optional</b>	M12x1 connector acc. DESINA	connector acc. VDMA
<b>max. temperature</b>	media 60°C ambient 50°C	
<b>explosion proof</b>	EEx m II T5 nominal voltage U <sub>n</sub> power consumption	direct current 24 V 3,25 W alternating current 230 V 50 Hz 2,90 W

pneumatic specifications		options
<b>actuation pressure range</b>	bar 4-10	
<b>air consumption</b>	cm <sup>3</sup> /stroke 65	
<b>cycle speed</b>	main valve speed variable by throttles on pilot valve	
<b>control</b>	preferably 5/2-way pilot valve	
<b>pilot valve interface</b>	co-ax / NAMUR	ISO 1
<b>actuator ports</b>	2/4 G 1/8	G 1/4

hydraulic specifications		options
<b>actuation pressure range</b>	bar 10-30 / 30-60	
<b>control</b>	preferably 4/2-way control valve	
<b>actuator ports</b>	X/Y G 1/4	NPT 1/4

# type VMK 40

function: **NC**  
closed when not energized

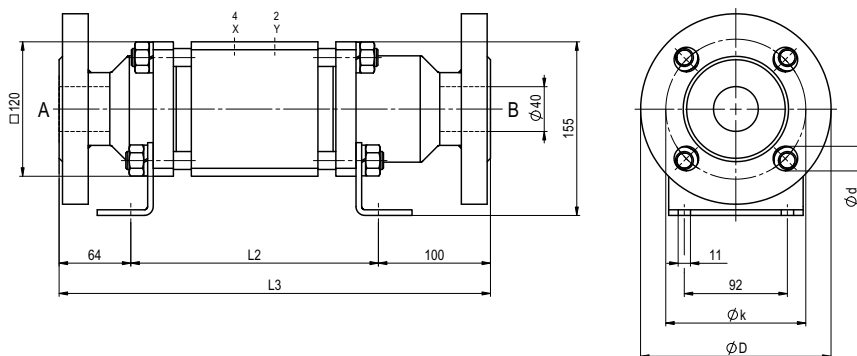


constructive length	L1	L2	L3
standard	312	221	385
with 1/2 inductive limit switches	312	221	385
with force-feed lubrication nipple	312	221	385
with mechanical limit switches	-	-	-

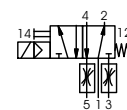
flanges PN	DIN	øD	øk	ød
100	2637	170	125	22

# type VFK 40

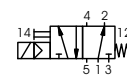
function: **NO**  
open when not energized



### pneumatic actuation



5/2-way-pilot valve  
flow rate 700 l/min  
pressure range 3-10 bar G 1/8



5/2-way-pilot valve ISO 1  
flow rate 700 l/min  
pressure range 3-10 bar G 1/4