


coaxial valve

type Cryaxx - buttweld type



coaxial valve	bare shaft
pressure range	PN 0-63 bar
size	DN 25 - 100 mm
connection	butt-weld ends

 Above stated body materials refer to the valve port connections that get in contact with the media only!

body materials	stainless steel
valve seat materials	synthetic resin on metal
seal materials	PTFE / ECTFE


inconell


details needed

- size
- pipe connection
- operating pressure
- flow rate
- Δp
- closing time
- media
- process temperature
- outside temperature

general specifications

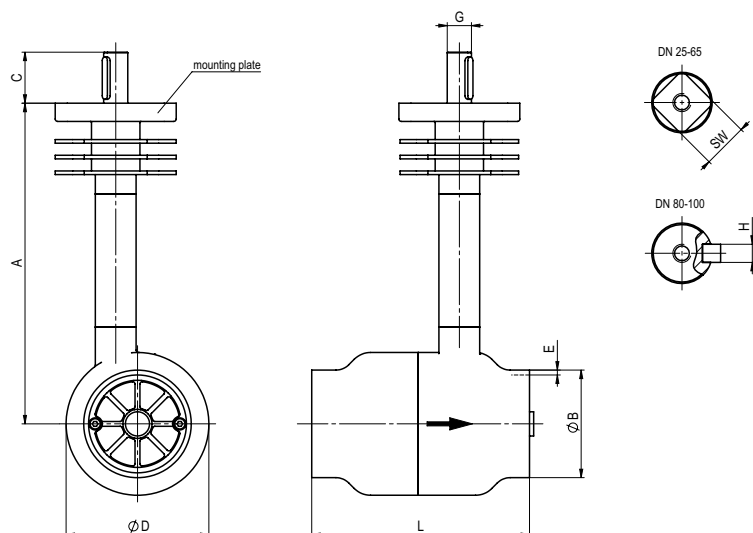
pipe connection	butt-weld ends
function	NC / NO / DA
pressure range	body pressure
Kv value	m ³ /h
leakage rate	standard
preferred flow direction	A ⇌ B
switching time	s
process- and outside temperature	standard
limit switches	with special materials
approvals	option
weight	kg
additional equipment	upon request

 The valves' technical design is based on media and application requirements. This can lead to deviations from the general specifications shown on the data sheet with regards to the design, sealing materials and characteristics.

 If order or application specifications are incomplete or imprecise there exists a risk of an incorrect technical design of the valve for the required application. As a consequence, the physical and / or chemical properties of the materials or seals used, may not be suitable for the intended application.

- specifications not highlighted are standard
- specifications highlighted in grey are optional

Type Cryaxx - buttweld type



size	(mm) (inch)	25	32	40	50	65	80	100	
		1	1 ¼	1 ½	2	2 ½	3	4	
pipe cl to mounting plate diameter	A	156	156	190	220	220	265	374	
bare shaft length	B	33,7	42,4	48,3	60,3	76,1	88,9	114,3	
housing diameter	C	9,5	9,5	9,5	16	16	42	50	
thickness	D	45	60	72	85	98	118	171	
mounting plate F ISO 5211	(others on request)	E	2,6	2,6	2,6	2,9	2,9	4	3,6
spindle	F	F03-F05	F03-F05	F03-F05	F07	F07	F10	F12	
constructive length	G	SW9	SW9	SW9	SW11	SW11	Ø20	Ø25	
kv value	H	-	-	-	-	-	6	8	
cv value	L	125	130	140	150	170	180	220*	
weight		10	16	24	34	53	70	105	
		12	19	28	40	62	82	123	
		0,9	1,1	1,7	2,6	4,3	7	12	

*constructive length does not meet DIN 3202 F4