


coaxial valve

type Cryaxx - lug type



coaxial valve	bare shaft
pressure range	PN 0-63 bar
size	DN 25 - 100 mm
connection	flange

 Above stated body materials refer to the valve port connections that get in contact with the media only!

body materials	stainless steel
valve seat materials	synthetic resin on metal
seal materials	PTFE / ECTFE


inconell


details needed

- size
- pipe connection
- operating pressure
- flow rate
- Δp
- closing time
- media
- process temperature
- outside temperature

general specifications

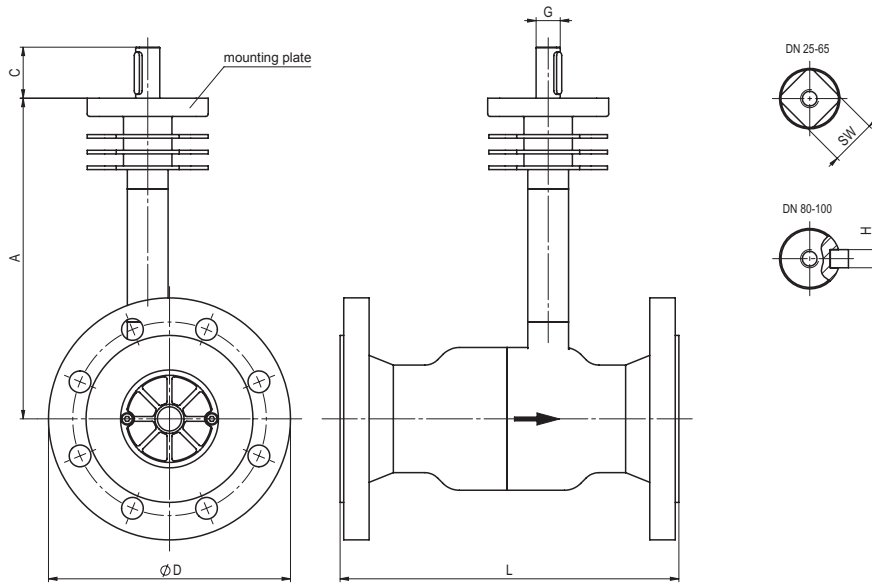
pipe connection	flange	PN 10 / 16 / 25 / 40 / 63 (PN 63 only DN 25) ANSI 150 / 300
function	NC / NO / DA	depending upon actuator
pressure range	body pressure	0 bis 40 bar (DN 25 to 63 bar)
Kv value	m ³ /h	see table
leakage rate		1 DIN 3230 A DIN EN 12266 BS 6364 Fire safe (option)
preferred flow direction	A ⇌ B	as marked
switching time	s	DN/100
process- and outside temperature	standard	- 255 °C to + 80 °C
	with special materials	- 255 °C to + 150 °C
limit switches		option
approvals		PED / Fire safe / BAM / TA Luft / ATEX in further
weight	kg	see table
additional equipment		upon request

 The valves' technical design is based on media and application requirements. This can lead to deviations from the general specifications shown on the data sheet with regards to the design, sealing materials and characteristics.

 If order or application specifications are incomplete or imprecise there exists a risk of an incorrect technical design of the valve for the required application. As a consequence, the physical and / or chemical properties of the materials or seals used, may not be suitable for the intended application.

- specifications not highlighted are standard
- specifications highlighted in grey are optional

Type Cryaxx - lug type



size	(mm) (inch)	25	32	40	50	65	80	100	
		1	1 ¼	1 ½	2	2 ½	3	4	
pipe cl to mounting plate		A	156	156	190	220	220	265	374
bare shaft length		C	9,5	9,5	9,5	16	16	42	50
flange diameter	PN 10	D	115	140	150	165	185	200	220
	PN 16	D	115	140	150	165	185	200	220
	PN 25	D	115	140	150	165	185	200	235
	PN 40	D	115	140	150	165	185	200	235
	PN 63	D	140						
	ANSI 150	D	108	118	127	152	178	190	229
ANSI 300	D	124	133	156	165	190	210	254	
mounting plate F ISO 5211	(others on request)	F	F03-F05	F03-F05	F03-F05	F07	F07	F10	F12
spindle		G	SW9	SW9	SW9	SW11	SW11	Ø20	Ø25
		H	-	-	-	-	-	6	8
constructive length*		L	205	210	220	240	270	280	340
kv value	(m³/h)		10	16	24	34	53	70	105
cv value	(gal/min)		12	19	28	40	62	82	123
weight	(kg)		3,2	4,5	5,2	7,4	11	15	22

*constructive length acc. to DIN 3202 F4 on request